

# Model ACL48212

Acoustical Louver • 12" Deep • 12" Blade Spacing • Formed Aluminum

## STANDARD CONSTRUCTION

**FRAME:** 14-GA aluminum.

**BLADE:** 16-GA aluminum Airfoil exterior with 22-GA perforated aluminum interior surface.

**INSULATION:** Eco-Sound insulation

**FINISH:** Mill.

## OPTIONS

Finish - Baked Enamel, Kynar, Anodize

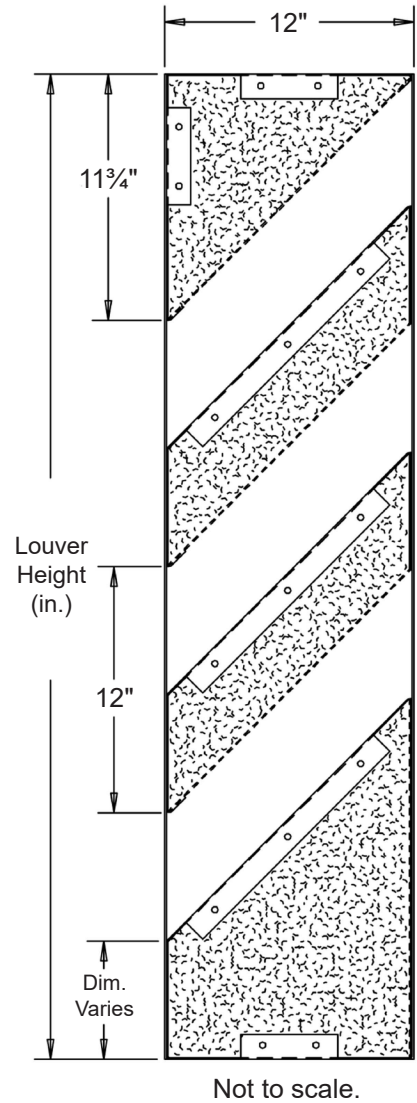
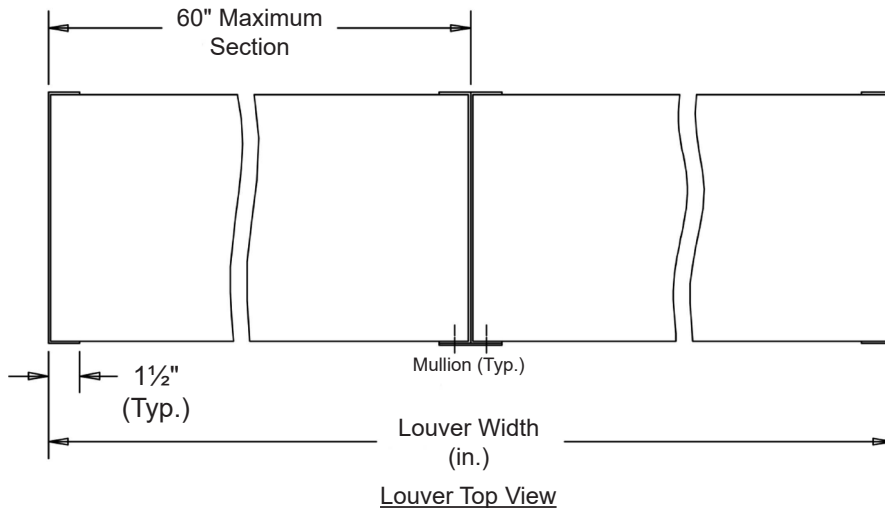
Screen - 1/2" sq. mesh, aluminum (.051") or galvanized steel (.041")

## NOTES

1. Nominal deductions will be made to the opening size given.

## LOUVER SIZES

| Min Panel   | Max Single Panel |
|-------------|------------------|
| 12"W x 24"H | 60"W x 96"H      |



| Item #         | Qty | Width        | Height | Width       | Height | Mullion | Type    | Location | Union Made |
|----------------|-----|--------------|--------|-------------|--------|---------|---------|----------|------------|
|                |     | Opening Size |        | Louver Size |        |         | Screens |          |            |
| Arch. / Eng. : |     |              |        |             |        | EDR:    |         | ECN:     | Job:       |
| Contractor:    |     |              |        |             |        |         |         |          |            |
| Project:       |     |              |        |             |        | Date:   |         | DWN:     | DWG:       |

In the interest of product development, Louvers & Dampers reserves the right to make changes without notice.

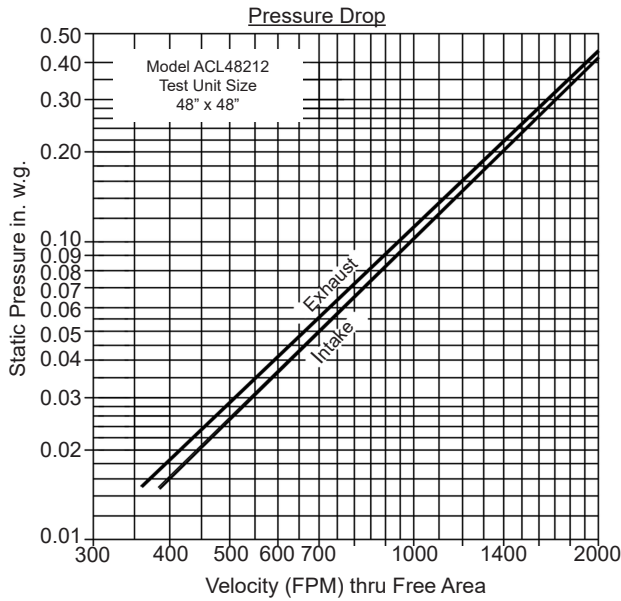
www.louvers-dampers.com

450 Riverside Drive • Wyalusing PA, 18853 • Phone 570-746-1888 • Fax 570-746-9286

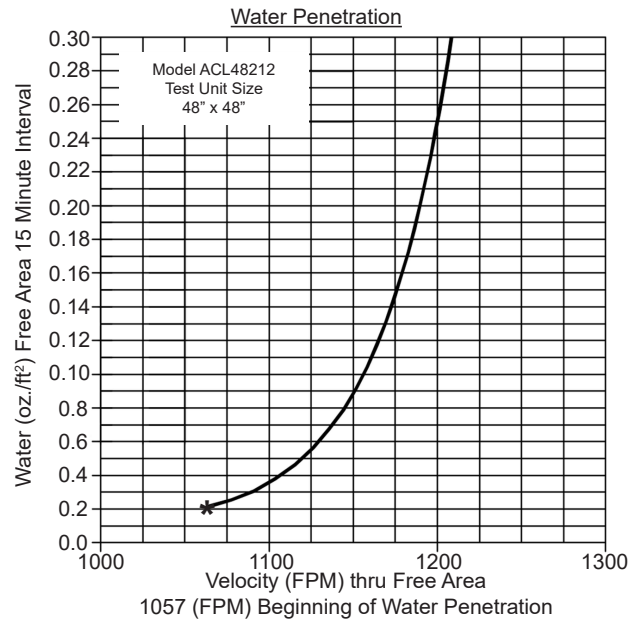


## PERFORMANCE DATA

Ratings do not include effects of a screen.



Intake air converted to standard air density.  
Tested to AMCA Standard 500-L, Figure 5.5.



### Transmission Loss

|                              |    |     |     |     |      |      |      |      |
|------------------------------|----|-----|-----|-----|------|------|------|------|
| Octave Band                  | 1  | 2   | 3   | 4   | 5    | 6    | 7    | 8    |
| Frequency (Hz)               | 63 | 125 | 250 | 500 | 1000 | 2000 | 4000 | 8000 |
| Sound Transmission Loss (db) | 8  | 6   | 4   | 9   | 14   | 12   | 11   | 11   |
| Free Field Noise Reduction   | 14 | 12  | 10  | 15  | 20   | 18   | 17   | 17   |

### Attenuation

Octave Band Center Frequency (Hz)

| Distance from Louver (ft) | Octave Band Center Frequency (Hz) |         |         |         |          |          |          |          |
|---------------------------|-----------------------------------|---------|---------|---------|----------|----------|----------|----------|
|                           | 1 / 63                            | 2 / 125 | 3 / 250 | 4 / 500 | 5 / 1000 | 6 / 2000 | 7 / 4000 | 8 / 8000 |
| 0'                        | 14                                | 12      | 10      | 15      | 20       | 18       | 17       | 17       |
| 10'                       | 26                                | 24      | 22      | 27      | 32       | 30       | 29       | 29       |
| 50'                       | 40                                | 38      | 36      | 41      | 46       | 44       | 43       | 43       |
| 100'                      | 46                                | 44      | 42      | 47      | 52       | 50       | 49       | 49       |
| 200'                      | 52                                | 50      | 48      | 53      | 58       | 56       | 55       | 55       |
| 500'                      | 60                                | 58      | 56      | 61      | 66       | 64       | 63       | 63       |
| 1000'                     | 66                                | 64      | 62      | 67      | 72       | 70       | 69       | 69       |

Attenuation chart above is a combination of the Model ACL48212 sound transmission loss and the reduction of sound energy as a function of distance.

### Free Area (sq. ft.)

|              |      | Width (in.) |      |      |      |      |      |       |       |       |
|--------------|------|-------------|------|------|------|------|------|-------|-------|-------|
|              |      | 12"         | 18"  | 24"  | 30"  | 36"  | 42"  | 48"   | 54"   | 60"   |
| Height (in.) | 24"  | .27         | .45  | .63  | .81  | .98  | 1.16 | 1.34  | 1.52  | 1.70  |
|              | 36"  | .54         | .90  | 1.25 | 1.61 | 1.97 | 2.33 | 2.69  | 3.04  | 3.40  |
|              | 48"  | .81         | 1.34 | 1.88 | 2.42 | 2.95 | 3.49 | 4.03  | 4.56  | 5.10  |
|              | 60"  | 1.07        | 1.79 | 2.51 | 3.22 | 3.94 | 4.65 | 5.37  | 6.09  | 6.80  |
|              | 72"  | 1.34        | 2.24 | 3.13 | 4.03 | 4.92 | 5.82 | 6.71  | 7.61  | 8.50  |
|              | 84"  | 1.61        | 2.69 | 3.76 | 4.83 | 5.91 | 6.98 | 8.06  | 9.13  | 10.20 |
| 96"          | 1.88 | 3.13        | 4.39 | 5.64 | 6.89 | 8.14 | 9.40 | 10.65 | 11.90 |       |